

RUNDING MACHINE

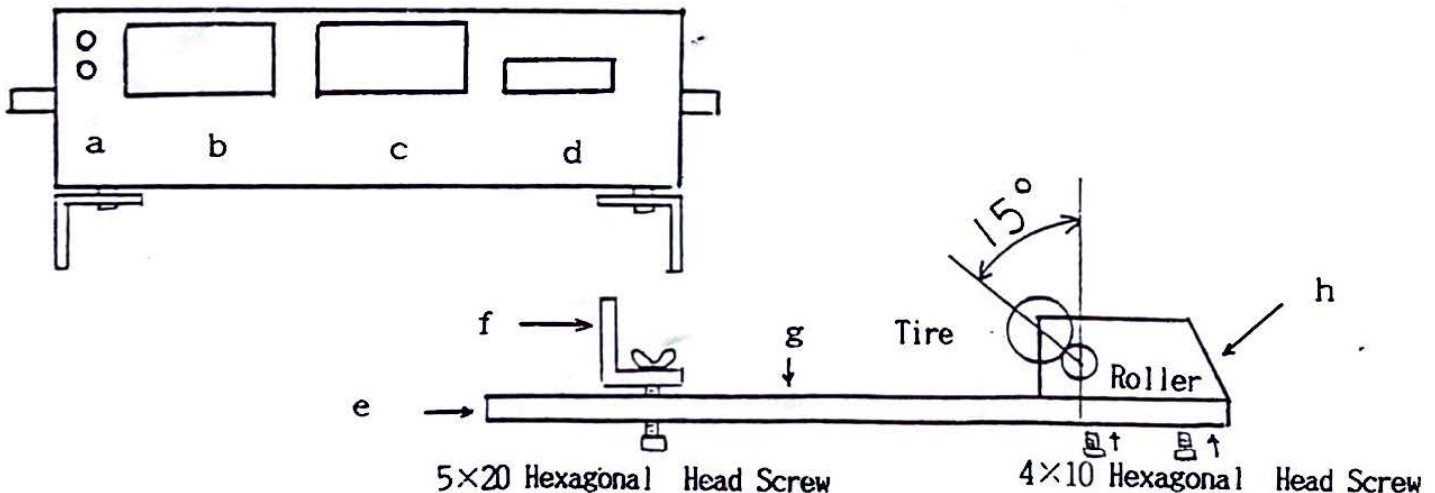
OPERATION MANUAL

1. FEATURE

Adjustments of machine, motor, pinion gear, shocks and etc. can be easily done with actual running condition just in front of your face.

2. NAMES OF EACH PART AND SETTING MANNER

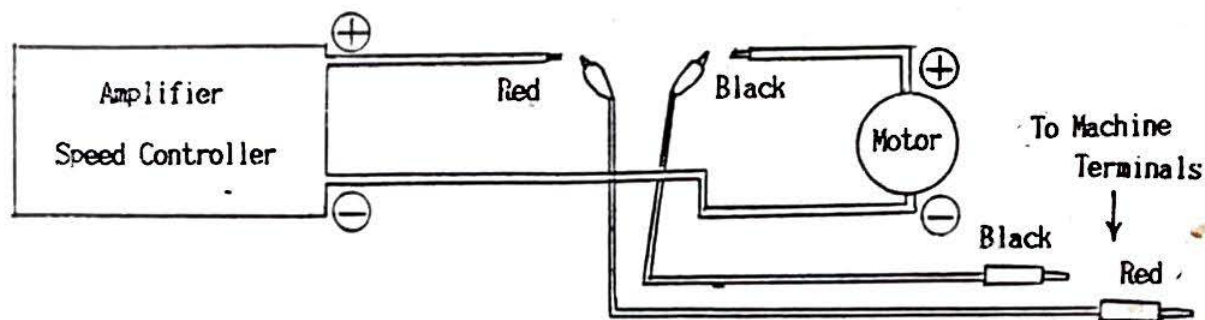
- a Terminals +Red -Black
- b Ampere Meter for Motor
- c Speed Meter
- d Trip Meter
- e Sliding Rail A, B
- f Nose Guide
- g Hook for Nose Guide
- h Machine



3. ASSEMBLING AND CAR SETTING

- a. Install Sliding Rails A and B to Machine.
- b. Adjust length of Nose Guide as long as car's length, then install by Wing Nut.
- c. Put rubber band to Hook for Nose Guide in order to fix the car.
- d. Angle of Contact point between Tire and Roller must be 15 degree. (bigger load is expected if the angle is more than 15 degree, and smaller load when less than 15 degree)
- e. Guide must be adjusted as run idle of front tire if your car is 4WD.

f. For using Ampere Meter, connect lead wire between wire of positive terminal of Motor and Speed Controller in order for electricity is to come through Ampere Meter.



g. Confirm whether each meter is workable without trouble. Be careful for connecting Ampere Meter for Motor - do not connect oppositely.

4. FUNCTIONS DONE BY RUNDING MACHINE

- * Measuring of Top Speed
- * Measuring of 0-4 Time
- * Measuring of Electric Consumption at Motor
- * Measuring of Battery Life
- * Adjustment of Motor
- * Selection of Pinion Gears
- * Endurance Test

RUNDING MACHINE

YOUR MACHINE'S SPEED IS MEASURED UNDER YOUR EYES

What is the maximum speed of your machine?
 Your new motor is faster that previous one?
 RUNDING MACHINE will reply all those questions.

Measureings very similar to actual running can be done under your eyes namely 0-400 Time by trip meter, electricity consumption of motor and battery life.

SHINWA TECHNICAL LAB-CO-LTD

ACCESSORIES
SPECIAL PARTS

SHINWA RACING

SHINWA RACING TEAM



KASAMATSU MIKUMO-CHO
 ICHISHIGUN MIE JAPAN
 Tel. 059856-5706 FAX 059856-3451